

IR2085S & (PbF)

HIGH SPEED, 100V, SELF OSCILLATING 50% DUTY CYCLE, HALF-BRIDGE DRIVER

Features

- Simple primary side control solution to enable half-bridge DC-Bus Converters for 48V distributed systems with reduced component count and board space.
- Integrated 50% duty cycle oscillator & half-bridge driver IC in a single SO-8 package
- Programmable switching frequency with up to 500kHz max per channel
- +/- 1A drive current capability optimized for low charge MOSFETs
- Adjustable dead-time 50nsec – 200nsec
- Floating channel designed for bootstrap operation up to +100Vdc
- High and low side pulse width matching to +/- 25nsec
- Adjustable overcurrent protection
- Undervoltage lockout and internal soft start
- Also available LEAD-FREE

Product Summary

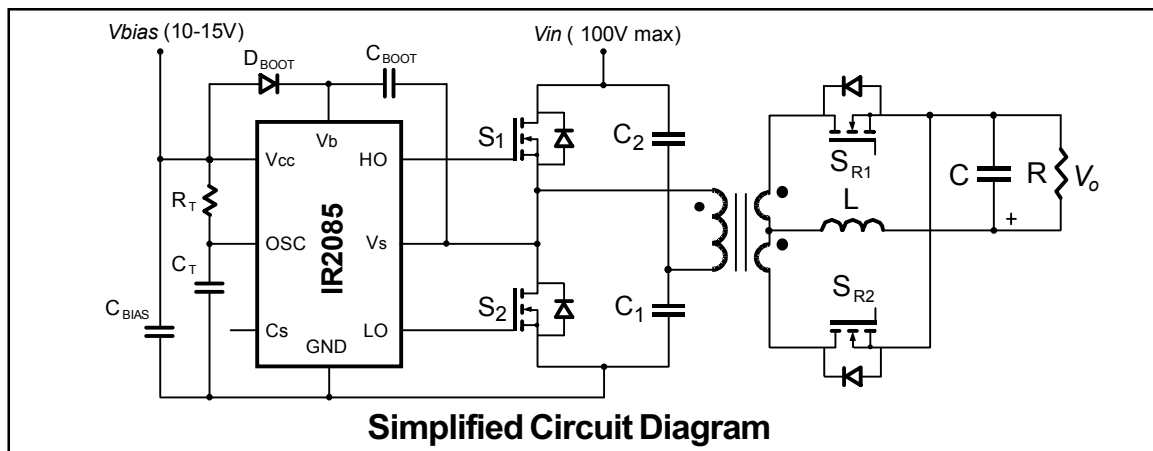
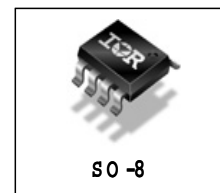
$V_{CC(max)}$	25V
$V_{offset(max)}$	100Vdc
High/low side output freq (f_{osc})	500kHz
Output Current (I_o)	+/-1.0A(typ.)
High/low side pulse width matching	+/- 25ns

Description

The IR2085S is a self oscillating half-bridge driver IC with 50% duty cycle ideally suited for 36V-75V half-bridge DC-bus converters. This product is also suitable for push-pull converters without restriction on input voltage.

Each channel frequency is equal to f_{osc} , where f_{osc} can be set by selecting R_T & C_T , where $f_{osc} \approx 1/(2 \cdot R_T \cdot C_T)$. Dead-time can be controlled through proper selection of C_T and can range from 50 to 200nsec. Internal soft-start increases the pulse width during power up and maintains pulse width matching for the high and low outputs throughout the start up cycle. The IR2085S initiates a soft start at power up and after every overcurrent condition. Undervoltage lockout prevents operation if V_{CC} is less than 7.5Vdc.

Package



Absolute Maximum Ratings

Absolute maximum ratings indicate sustained limits beyond which damage to the device may occur. All voltage parameters are absolute voltages referenced to COM. All currents are defined positive into any lead. The thermal resistance and power dissipation ratings are measured under board mounted and still air conditions.

Symbol	Definition	Min.	Max.	Units
V _b	High side floating supply voltage	-0.3	150	V
V _{CC}	Low side supply voltage	—	25	
V _S	High side floating supply offset voltage	V _b - 25	V _b + 0.3	
V _{HO}	High side floating output voltage	V _b - 0.3	V _b + 0.3	
V _{LO}	Low side output voltage	-0.3	V _{CC} + 0.3	
OSC	OSC pin voltage	-0.3	V _{CC} + 0.3	
V _{CS}	Cs pin voltage	-0.3	V _{CC} + 0.3	
dV _S /dt	Allowable offset voltage slew rate	-50	+50	V/ns
I _{CC}	Supply current	—	20	mA
P _D	Package power dissipation	—	1.0	W
R _{thJA}	Thermal resistance, junction to ambient	—	200	°C/W
T _J	Junction temperature	-55	150	°C
T _S	Storage temperature	-55	150	
T _L	Lead temperature (soldering, 10 seconds)	—	300	

Recommended Operating Conditions

For proper operation the device should be used within the recommended conditions.

Symbol	Definition	Min.	Max.	Units
V _b	High side floating supply voltage	V _{dd} - 0.7	15	V _{dc}
V _S	Steady state high side floating supply offset voltage	-5	100	
V _{CC}	Supply voltage	10	15	
I _{CC}	Supply current (Note 2)	—	5	mA
R _T	Timing resistor	10	100	KΩ
C _T	Timing capacitor	47	1000	pF
fosc(max)	Operating frequency (per channel)	—	500	KHz
T _J	Junction temperature	-40	125	°C

Note1: Care should be taken to avoid output switching conditions where the V_S node flies inductively below ground by more than 5V.

Dynamic Electrical Characteristics

$V_{BIAS} (V_{CC}, V_{BS}) = 12V$, $C_{LOAD} = 1000 \text{ pF}$, and $T_A = 25^\circ\text{C}$ unless otherwise specified.

Symbol	Definition	Min.	Typ.	Max.	Units	Test Conditions
t_r	Turn-on rise time	—	40	60	nsec	$V_S = 0V$
t_f	Turn-off fall time	—	20	30		
f_{osc}	Per channel output frequency	500	—	—	KHz	$C_T = 100\text{pF}$, $R_T = 10\text{Kohm}$
t_{dt}	High/low output dead time	50	—	—		
t_{dcs}	Overcurrent shut down delay	—	200	—	nsec	pulse on CS
PM	High/low pulse width mismatch	-25	—	25		$V_S = 0V \sim 100V$

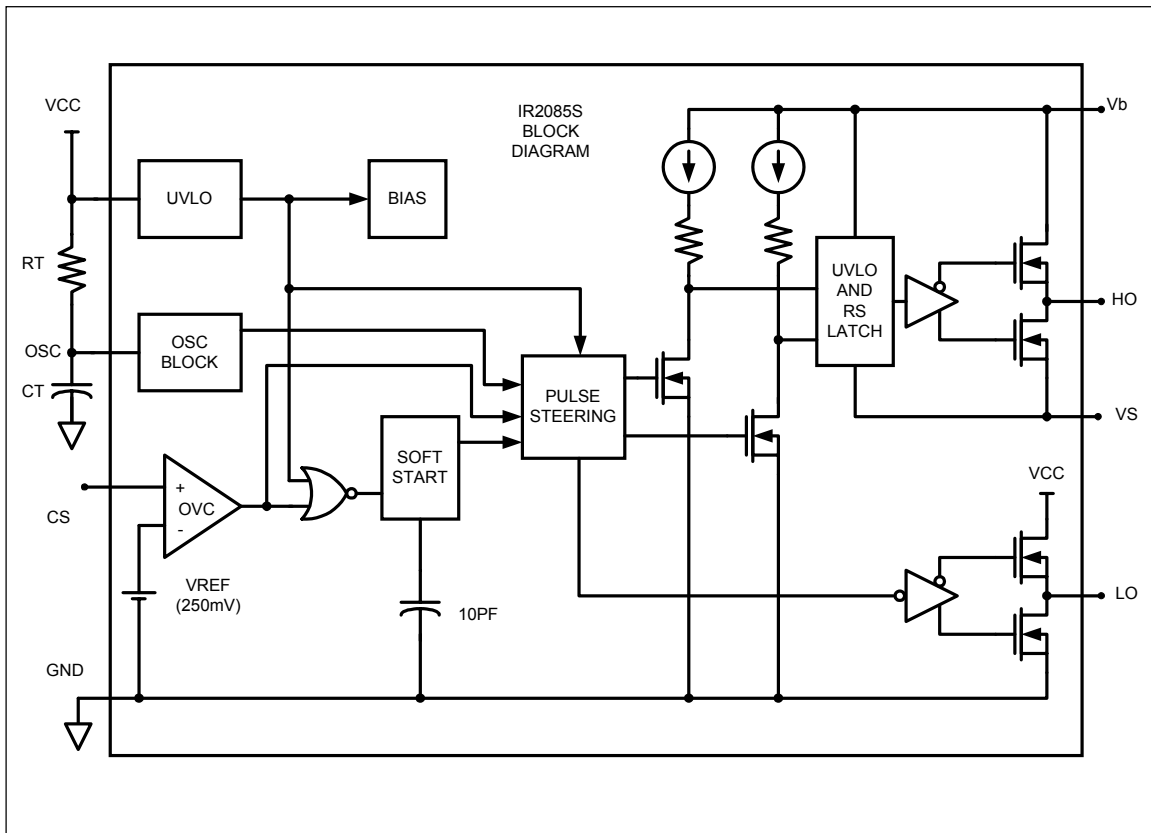
Static Electrical Characteristics

$V_{BIAS} (V_{CC}, V_{BS}) = 12V$, $C_{LOAD} = 1000 \text{ pF}$ and $T_A = 25^\circ\text{C}$ unless otherwise specified.

Symbol	Definition	Min.	Typ.	Max.	Units	Test Conditions
V_{OH}	High level output voltage, $(V_{BIAS} - V_O)$	—	—	1.5	V	
V_{OL}	Low level output voltage	—	—	0.1		
I_{leak}	Offset supply leakage current	—	—	50	μA	
I_{QBS}	Quiescent V_{BS} supply current	—	—	150		
I_{QCC}	Quiescent V_{CC} supply current	—	—	1.5	mA	
V_{CS+}	Overcurrent shutdown threshold	250	300	350	mV	
V_{CS-}	Overcurrent shutdown threshold	150	200	250	mV	
U_{VCC+}	Undervoltage positive going threshold	6.8	7.3	7.8	V	
U_{VCC-}	Undervoltage negative going threshold	6.3	6.8	7.3		
U_{VBS+}	High side undervoltage positive going threshold	6.8	7.3	7.8		
U_{VBS-}	High side undervoltage negative going threshold	6.3	6.8	7.3		
I_{O+}	Output high short circuit current	—	1.0	—	A	
I_{O-}	Output low short circuit current	—	1.0	—		

IR2085S & (PbF)

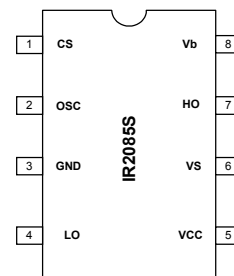
Functional Block Diagrams



Lead Definitions

Symbol	Description
VCC	Logic supply
GND	Logic supply return
Vb	High side floating supply
Vs	Floating supply return
HO	High side output
LO	Low side output
CS	Current sense input
OSC	Oscillator pin

Lead Assignments



Also available LEAD-FREE (PbF)

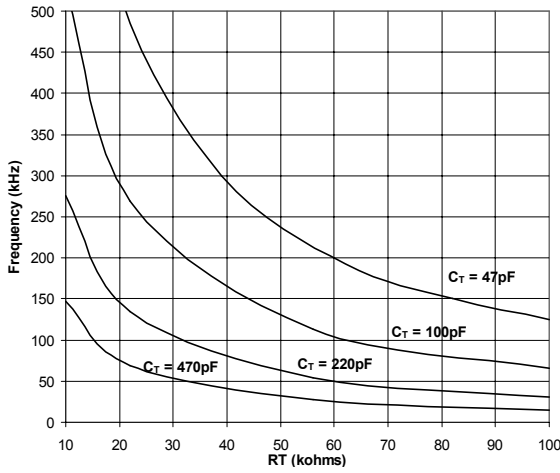


Fig. 1 Typical Output Frequency (-25°C to 125°C)

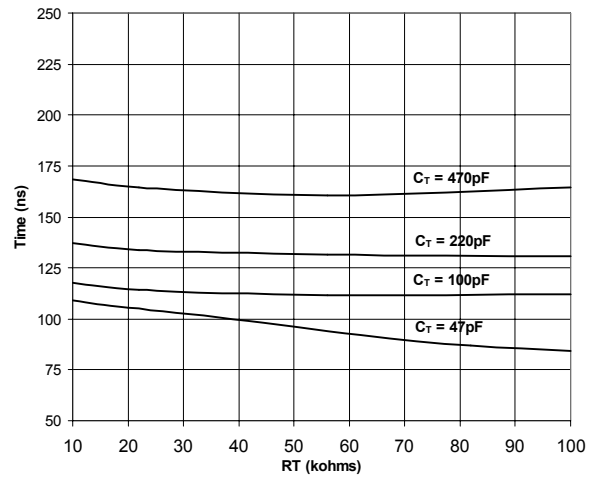


Fig. 2 Typical Dead Time (@25°C)

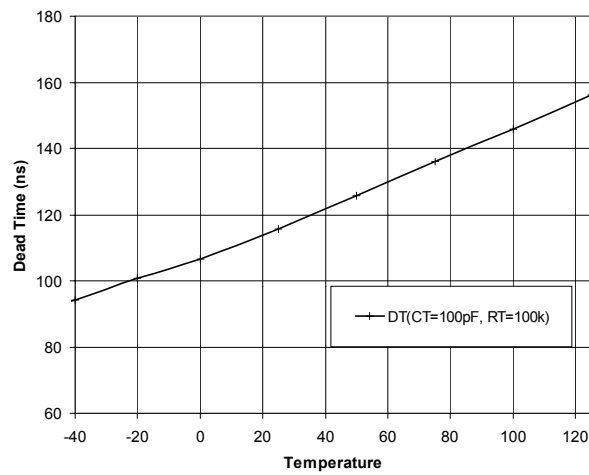


Fig. 3 Typical Dead Time vs Temperature

IR2085S & (PbF)

Pin descriptions

Cs: The input pin to the overcurrent comparator. Exceeding the overcurrent threshold value specified in “Static Electrical Parameters” Section will terminate output pulses and start a new soft start cycle as soon as the voltage on the pin reduce below the threshold value.

OSC: The oscillator-programming pin. Only two components are required to program the internal oscillator frequency: a resistor connected between the Vcc pin and the OSC pin, and a capacitor connected from the OSC to GND. The approximate oscillator frequency is determined by the following simple formula:

$$f_{osc} = 1 / (2 \cdot R_T \cdot C_T)$$

Where frequency is in Hertz (Hz), R_T resistance in Ohms (Ω) and C_T capacitance in Farads (F). The recommended range of timing resistors is between 10k Ω and 100k Ω and range of time capacitances is between 47pF and 470pF. The timing resistors less than 10k Ω should be avoided. The value of the timing capacitor determines the amount of dead time between the two output drivers: lower the C_T ,

Shorter the dead time and vice versa. It is not recommended to use a timing capacitor below 47pF, For best performance, keep the time components as close as possible to the IR2085S. Separated ground and Vdd traces to the timing components are encouraged.

GND: Signal ground and power ground for all functions. Due to high current and high frequency operation, a low impedance circuit board ground plane is highly recommended.

HO, LO: High side and low side gate drive pins. The high and low side drivers can directly drive the gate of a power MOSFET. The drivers are capable of 1A peak source and sink currents. It is recommended that the high and low drive pins be very close to the gates of the high side and low side MOSFETs to prevent any delay and distortion of the drive signals.

Vb: The high side power input connection. The high side supply is derived from a bootstrap circuit using a low-leakage Schottky diode and a ceramic capacitor. To prevent noise, the Schottky diode and bypass capacitor should be very close to the IR2085S.

Vs: The high side power return connection. Vs should be connected directly to the source terminal of high side MOSFET with a trace as short as possible.

Vcc: The IC bias input connection for the device. Although the quiescent Vcc current is very low, total supply current will be higher, depending on the gate charge of the MOSFETs connected to the HO and LO pins, and the programmed oscillator frequency. Total Vcc current is the sum of quiescent Vcc current and the average current at HO and LO. Knowing the operating frequency and the MOSFET gate charge (Qg) at selected Vcc voltage, the average current can be calculated from

$$I_{ave} = 2 \times Q_g \times f_{osc}$$

To prevent noise problem, a bypass ceramic capacitor connected to Vcc and GND should be placed as close as possible to the IR2085S.

IR2085S has an under voltage lookout feature for

the IC bias supply, Vcc. The minimum voltage required on Vcc to make sure that IC will work within specifications must be higher than 8.5V (9.5V minimum Vcc is recommended to prevent asymmetrical gates signals on HO and LO pins that are expected when Vcc is between 7.5V and 8.5V).

APPLICATION INFORMATION

An example of a half-bridge DC Bus Converter designed for 150W wireless telecommunications, networking, and high-end computing applications is shown in Figure 4. This circuit operates at 220kHz and provides 20A of output current. At 48V nominal input voltage, the output voltage is 8V.

On the primary side, the IR2085S drives two IRF7493s - next generation low charge power MOSFETs. The primary side bias is obtained through a linear regulator from the input voltage for startup, and then from the transformer in steady state. The IRF7380, dual 80VN power MOSFET in an SO8 package is used for the primary side bias function.

On the secondary side, two IRF6612s - Novel DirectFET power MOSFETs are used for self-driven synchronous rectification. DirectFETs practically eliminate MOSFET packaging resistance, which maximizes circuit efficiency. The DirectFET construction includes a copper "clip" across the backside of the silicon, which enables top-sided cooling and improved thermal performance. In the circuit shown in Fig. 4, the DirectFET gate drive voltage is clamped to an optimum value of 7.5V with the IRF9956 dual SO-8 MOSFET. The secondary side bias scheme is designed to allow outputs of two bus converters to be connected in

parallel, while operating from different input voltages, and also to allow continuing output current if one of the two input sources is shorted or disconnected.

Two ferrite cores are used for the transformer and inductor. The transformer core is a PQ20/16 (3F3) with 3:1 turns ratio and 1mil gap. The inductor core is an E14/3.5/5 (3F3) with one turn and a 5mil gap. The PCB has eight layers, with two layers for primary windings that are connected in parallel and each has three turns. Four layers are used for the secondary windings. Each layer has one turn and two layers are connected in parallel to get two sets of secondary windings. 4 oz Cu PCB is recommended for the primary and secondary windings. Each primary side winding is placed between the two sets of the secondary windings to balance the secondary side current.

IR2085S & (PbF)

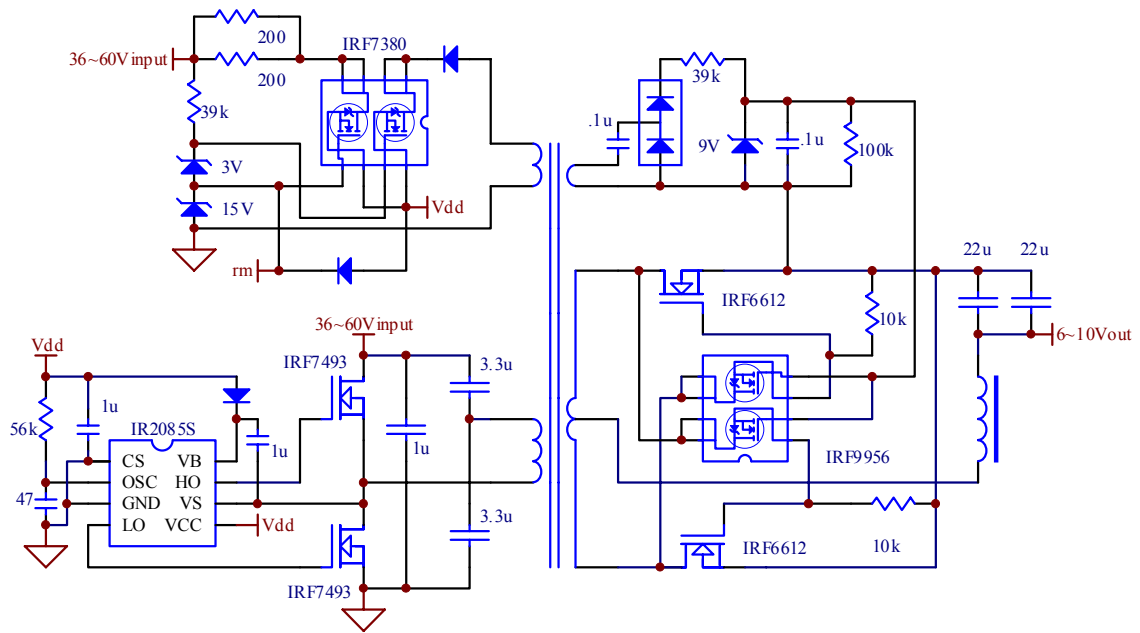
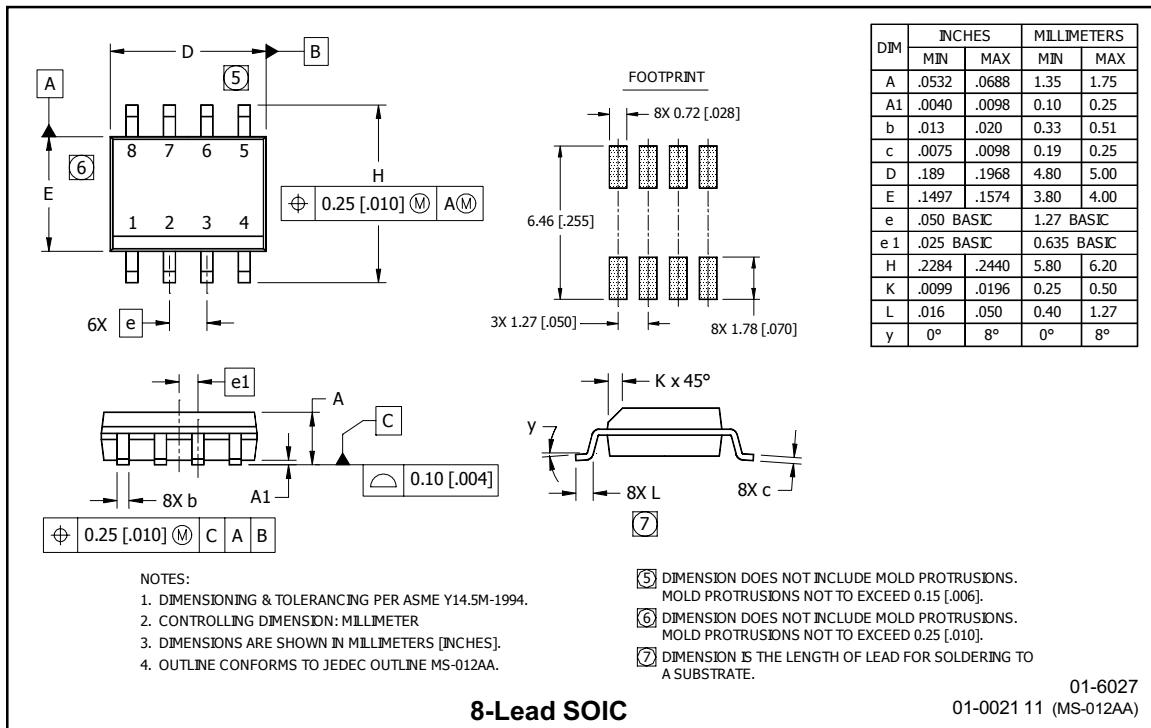


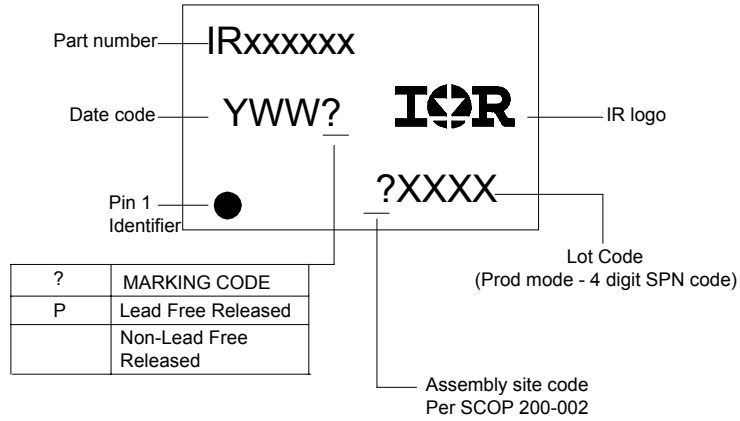
Figure 4 – IR2085S DC Bus converter reference design.

Case outline



IR2085S & (PbF)

LEADFREE PART MARKING INFORMATION



ORDERING INFORMATION

PKG DESIG	PART NUMBER	LEADFREE PART NUMBER	PIN COUNT	PARTS PER TUBE	PARTS PER REEL
S	IR2085S	IR2085SPbF	8	95	-----
S	IR2085STR	IR2085STRPbF	8	-----	4000